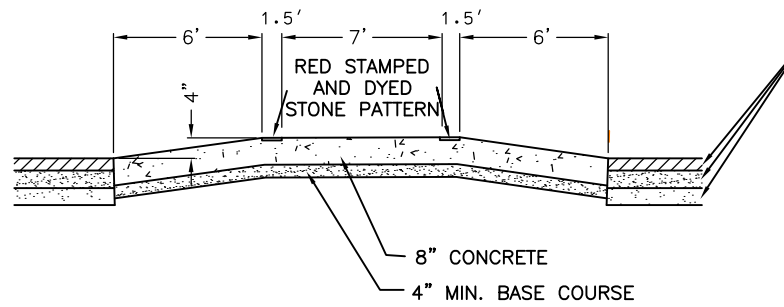
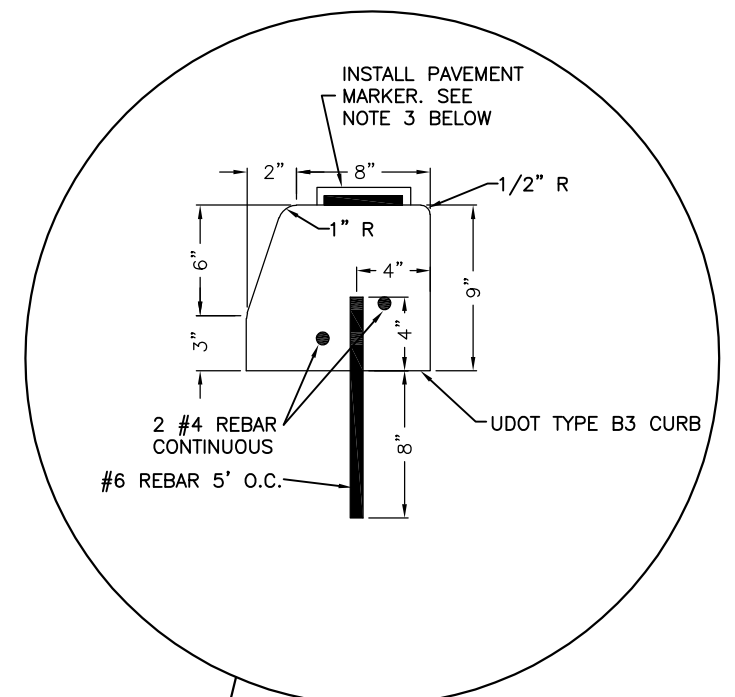


22' TYPICAL SPEED HUMP DETAIL

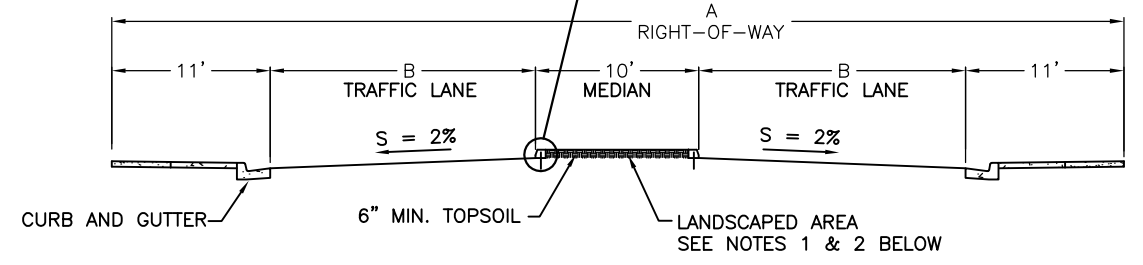


SECTION A-A

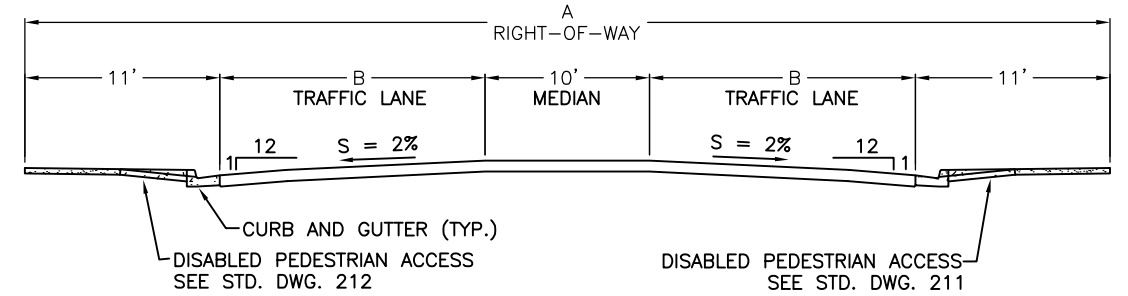
SEE STD. DWG. NO.203 FOR PAVEMENT SECTION DEPTHS (TYP.)

GENERAL NOTES:

1. LANDSCAPE AREAS SHALL REQUIRE A MIN. OF TWO (2) 2" CALIPER TREES. TREE SPECIES SHALL BE APPROVED BY CEDAR HILLS CITY.
2. LANDSCAPED AREAS SHALL BE SODDED AND SPRINKLED WITH AN AUTOMATIC SPRINKLER SYSTEM
3. INSTALL DAVIDSON PLASTICS COMPANY (DAPCO) "RPM" RAISED PAVEMENT MARKER (YELLOW HALFTRACK MARKER TYPE Y-1) IN MEDIAN CURB AS PER MANUFACTURERS RECOMMENDATIONS. REFLECTOR MUST BE PLACED TO FACE ONCOMING TRAFFIC AT 25' MIN. SPACING.

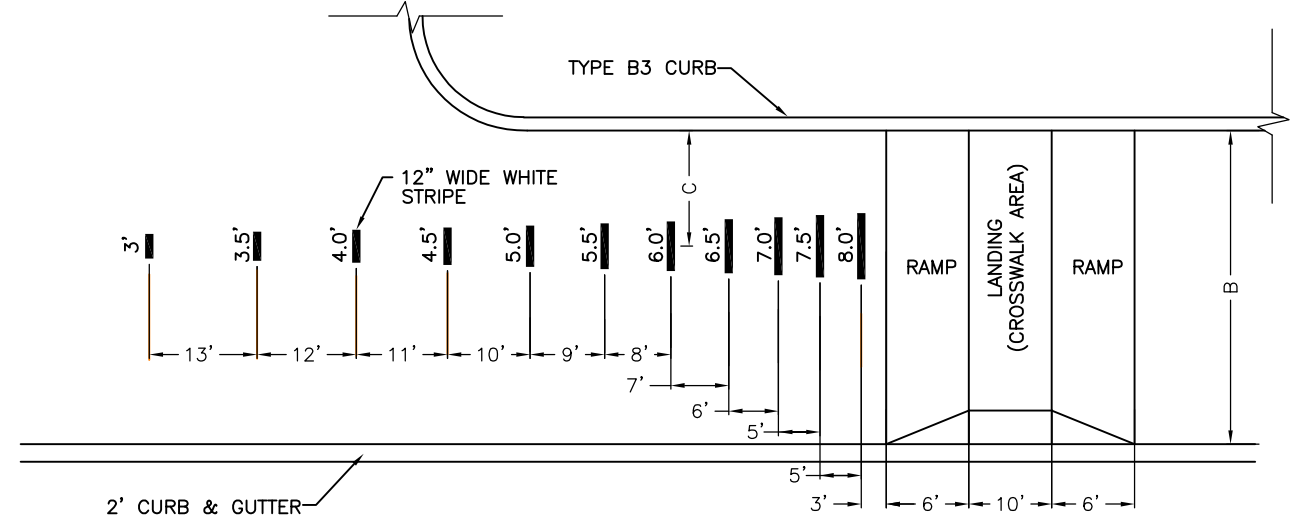


SECTION C-C



SECTION B-B

TABLE OF DIMENSIONS			
DIMENSION	LOCAL STREET	MINOR COLLECTOR STREET	MAJOR COLLECTOR STREET
A	56'	66'	74'
B	12'	17'	21'
C	6'	8.5'	10.5'



TYPICAL SPEED HUMP STRIPING

SPEED HUMP DETAIL



CEDAR HILLS
STANDARD
DRAWING NO.
216